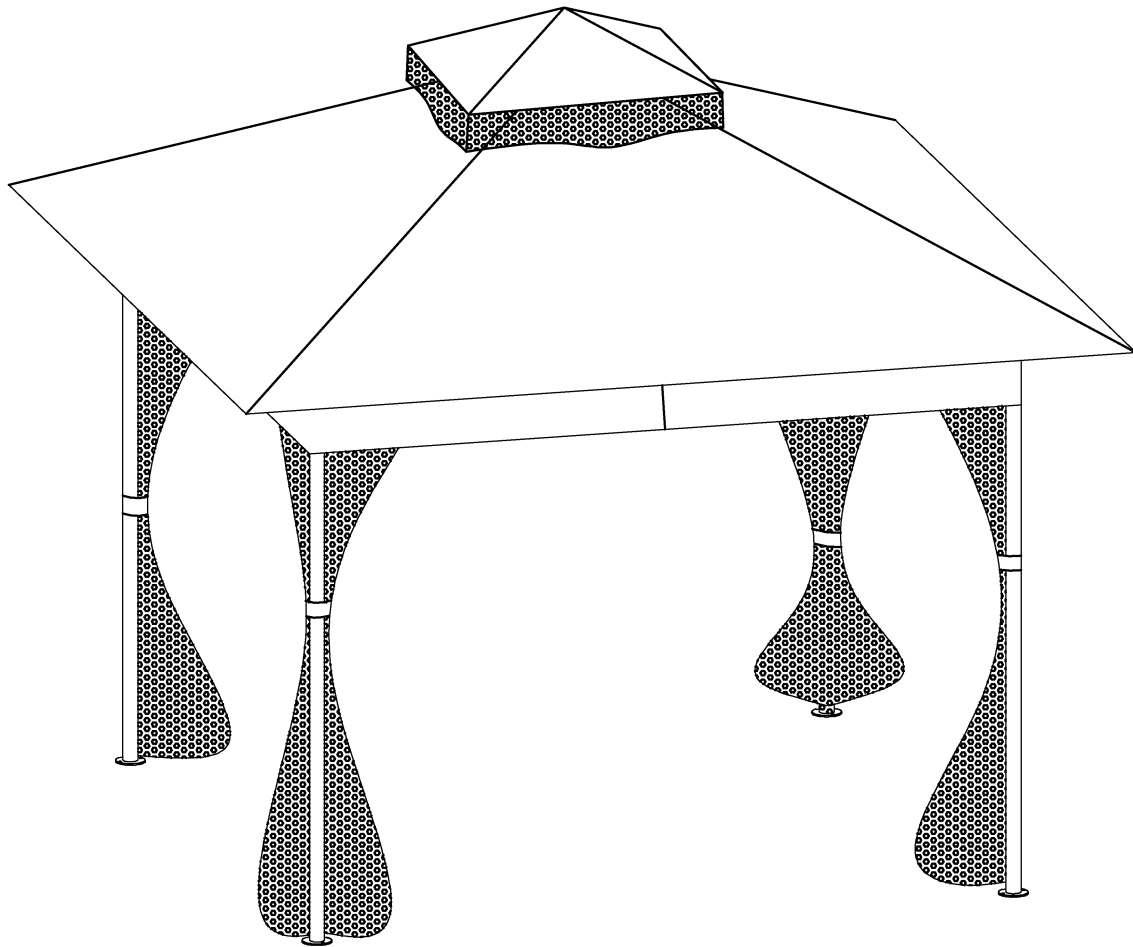


Assembly Instructions

Item Number: PT0148A2S



Thank you for your purchase!

We are pleased that you have chosen StarEcho for your outdoor gazebo purchase. We hope that you enjoy the unmatched quality, comfort, and style of your new patio item. Every piece is meticulously considered all the way down to the smallest details, exclusively for you, by our world class design team. We know you have a choice when it comes to your patio gazebo needs, so from our team to yours, thank you for letting us be a part of your outdoors.

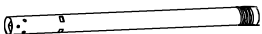
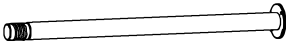





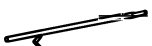

Made in China


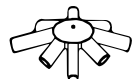
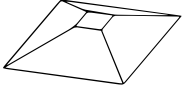

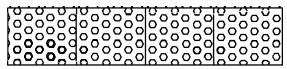



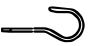
SAFE INFORMATIONS

WARNING:

- When assembling and using this product, basic safety precautions should always be followed to reduce the risk of personal injury and damage to equipment. Please read all instructions before assembly and usage.
- Some parts may contain sharp edges, wear protective gloves if necessary.
- This unit is heavy! Do not assemble this item alone. At least two or more people are recommended for safe assembly.
- Keep all children and pets away from assembly area.
- Begin assembly not less than 6 feet from any obstruction such as fence, garage, house, overhanging branches, laundry line or electrical wires.
- Install on level ground. This gazebo cannot be permanently staked or attached to concrete floor or platform. The provided stakes are for soft ground use only. If assembling on a hard surface like a deck or concrete, other forms of attachment must be used such as expansion bolts that can be purchased locally.
- This gazebo is intended for decorative and sunshade purposes only and is not meant to withstand inclement weather including high winds, rain and snow. Gazebo fabric is water resistant, not water proof and may leak during exposure to precipitation.
- Please lay out all parts before assembling, checking to make sure all parts are there. If any parts are missing, please email pioneerleisure@163.com and parts will be expedited to you.
- Do not leave the gazebo where there is a risk of high wind, as possible damage will occur to the structure. **Remove all excess snow from the roof.**
- Do not climb on top of the gazebo. Falling off the gazebo can result in serious injury.
- KEEP ALL FLAME AND HEAT SOURCES AWAY FROM THIS GAZEBO FABRIC. This Gazebo is made with fabric that meets CPAI-84 specifications for flame resistance. It is not fire proof. The fabric will burn if left in continuous contact with any flame source. The application of any foreign substance to the gazebo fabric may render the flame-resistant properties ineffective.

Parts List

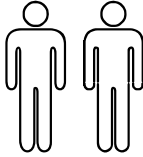
Parts Name	Item No.	Parts Images	Qty.
Top Leg Post	A1		4
Lower Leg Post	A2		4
Across Beam 1	C1		4
Across Beam 2	C2		4
Upper Slant Bar	G1		4
Lower Slant Bar	G2		4
Upper Top Bar	H1		4
Lower Top Bar	H2		4
Long Extension Tube	K5		4

Parts Name	Item No.	Parts Images	Qty.
Short Extension Tube	K4		4
Top Connector	J		1
Big Canopy	O1		1
Small Canopy	O2		1
Netting	P1		4
Bolt M6x18mm	BB		12
Stake	II		8
Ring	LL		32
Hook	N		1

Needed for assembly: (The following tools are not included)



Hammer

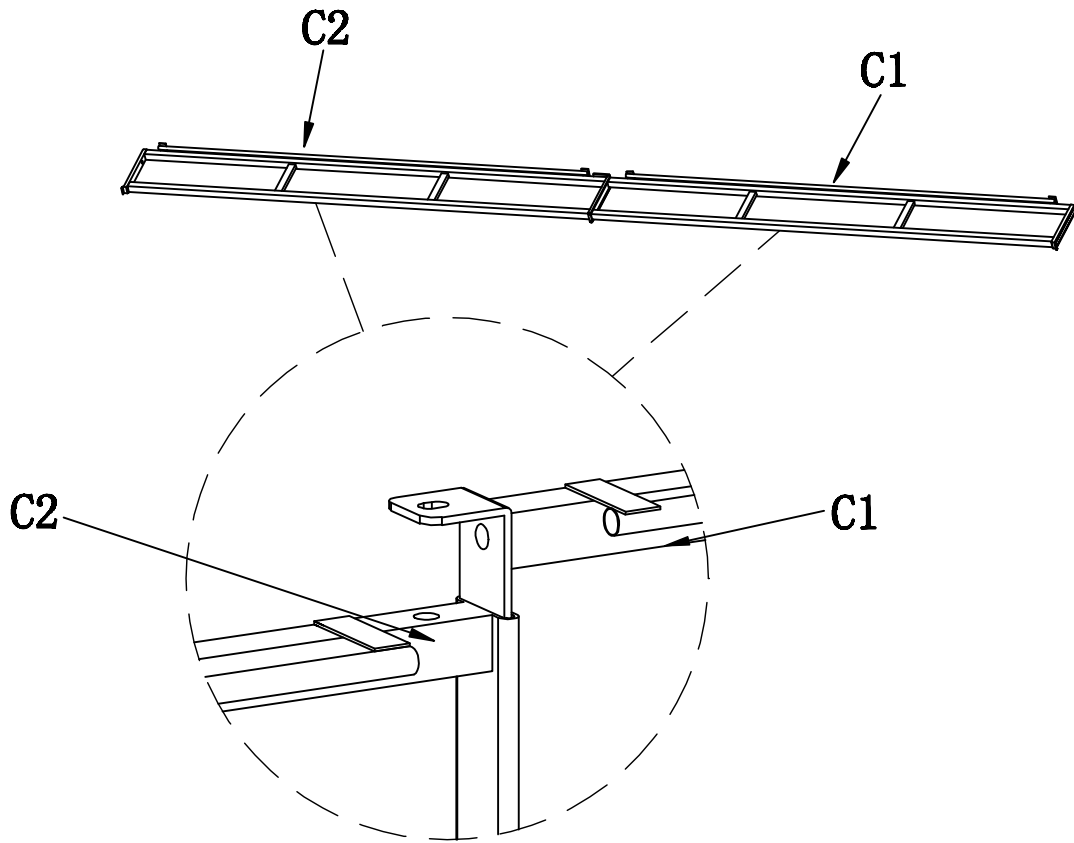


2 People



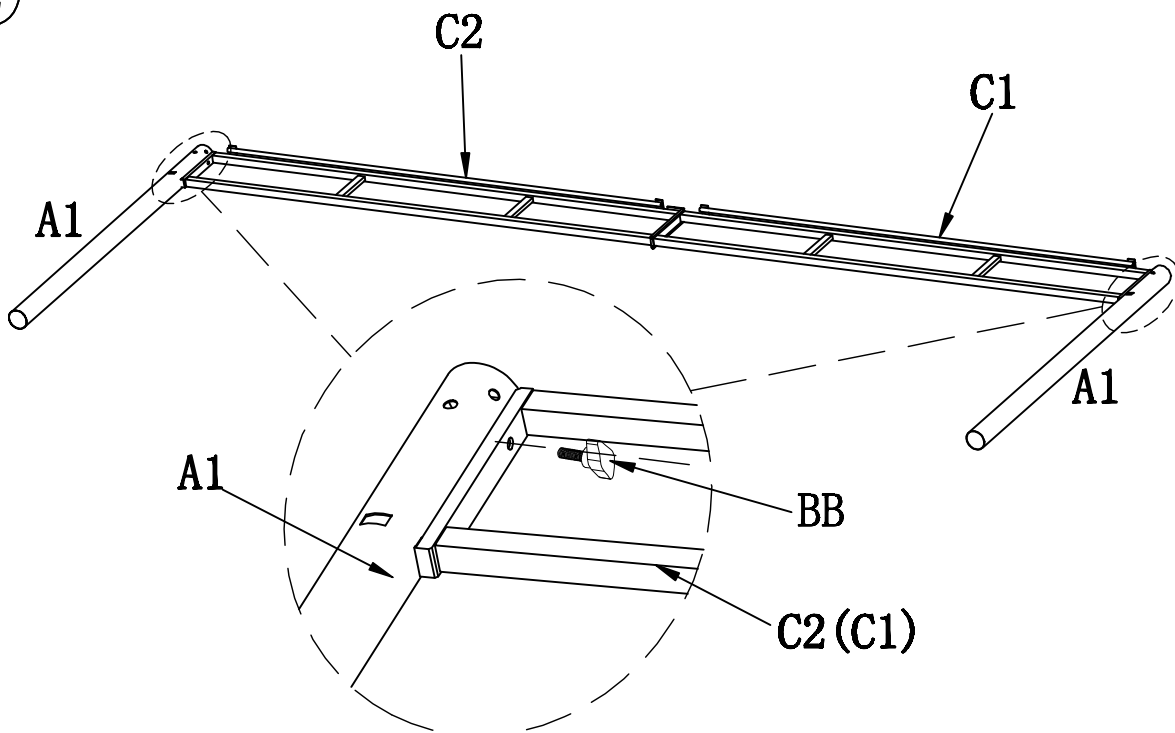
Ladder

①



Step 1: Connect **Across Beam 1 (C1)** and **Across Beam 2 (C2)**.

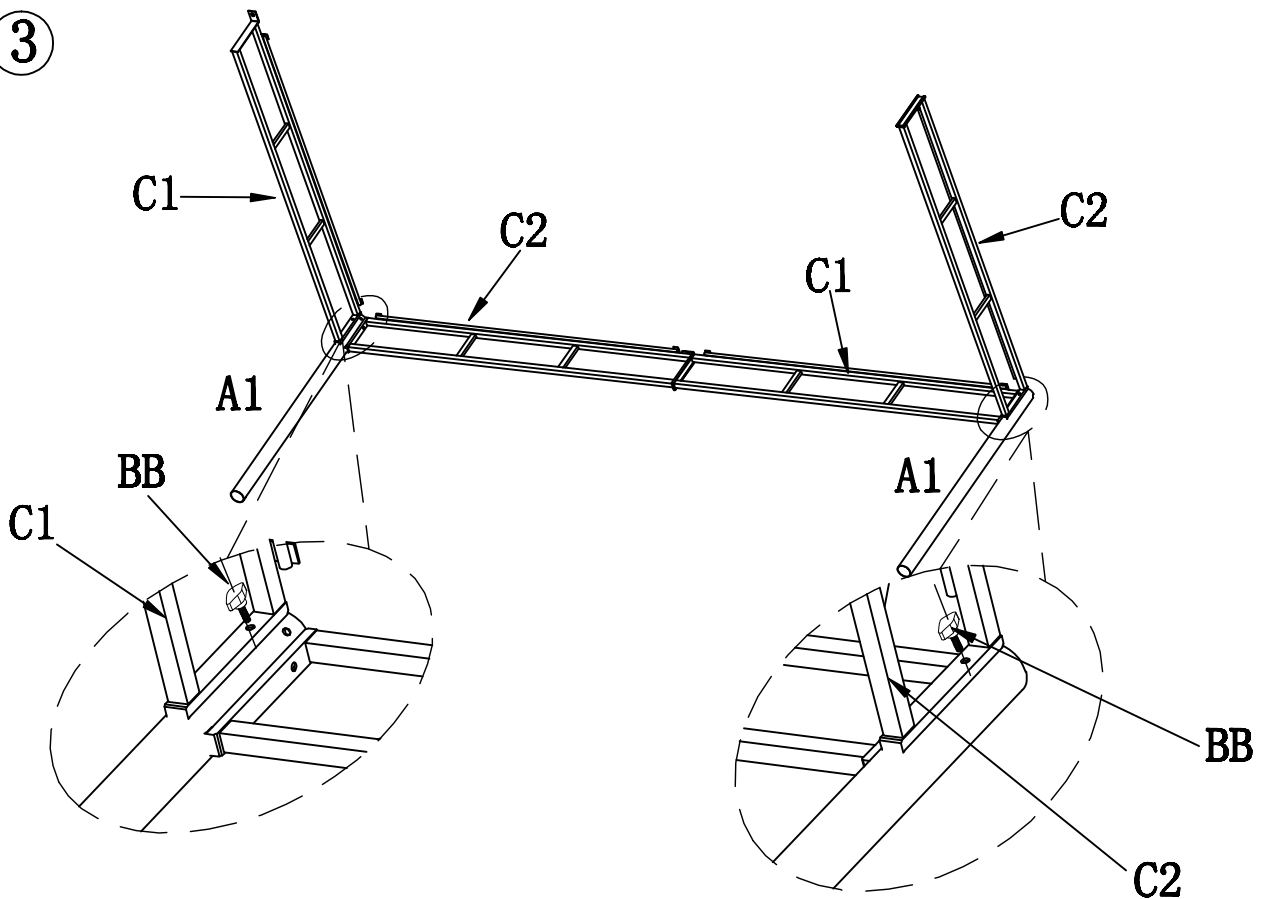
②



Step 2: Connect **Top Leg Post (A1)** to assembled **Across Beam 1/2 (D1/D2)**, locking by **Bolt (BB)**.

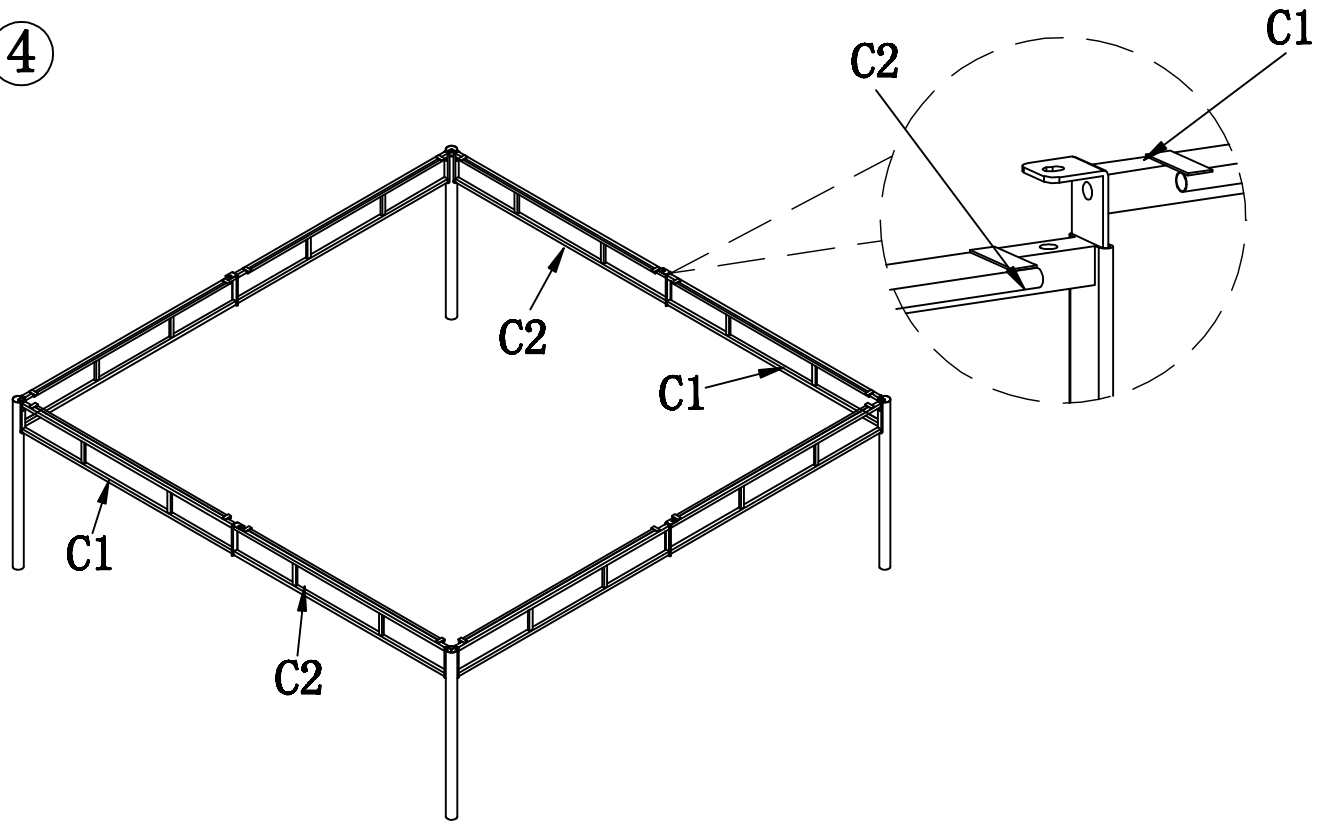
(Attention: lay flat beam on the ground, and face up.)

3



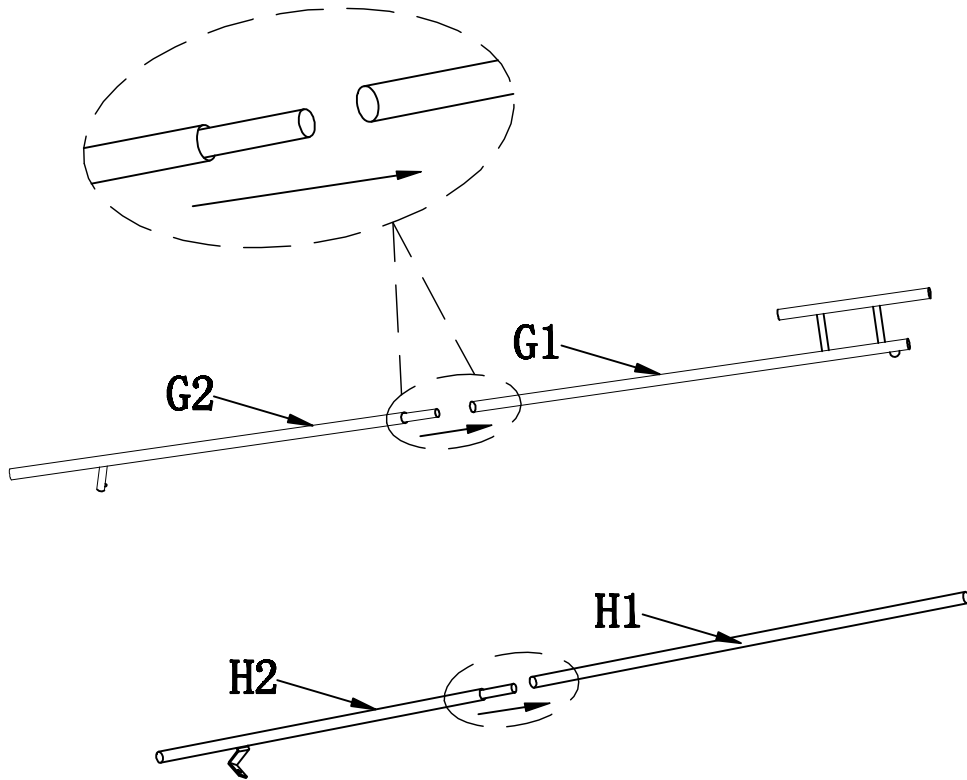
Step 3: Connect **Across Beam 1/2 (C1/C2)** to assembled **Top Leg Post (A1)** by **Bolt (BB)**.

4



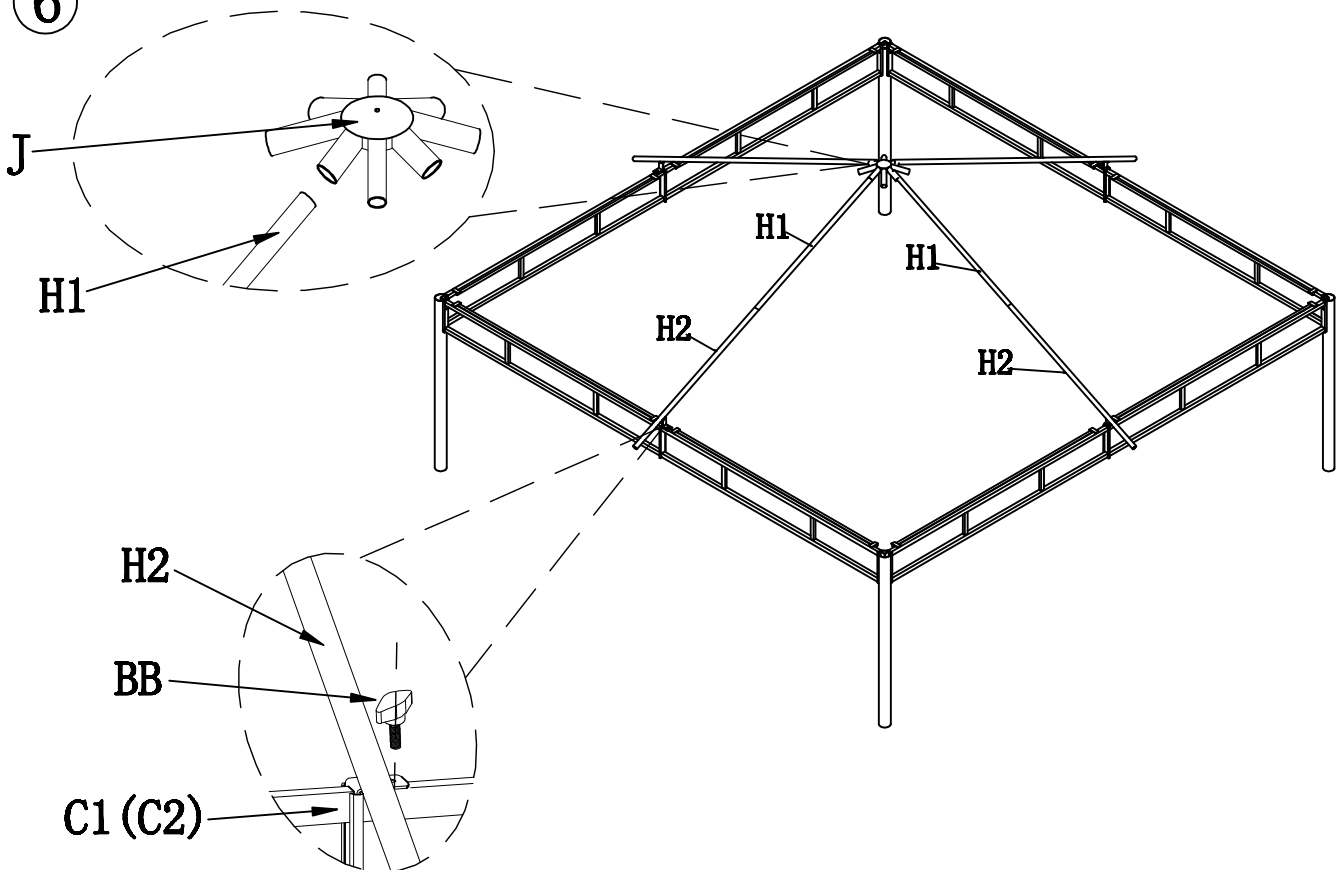
Step 4: Connect assembled **Across Beam 1/2 (C1/C2)**.

5



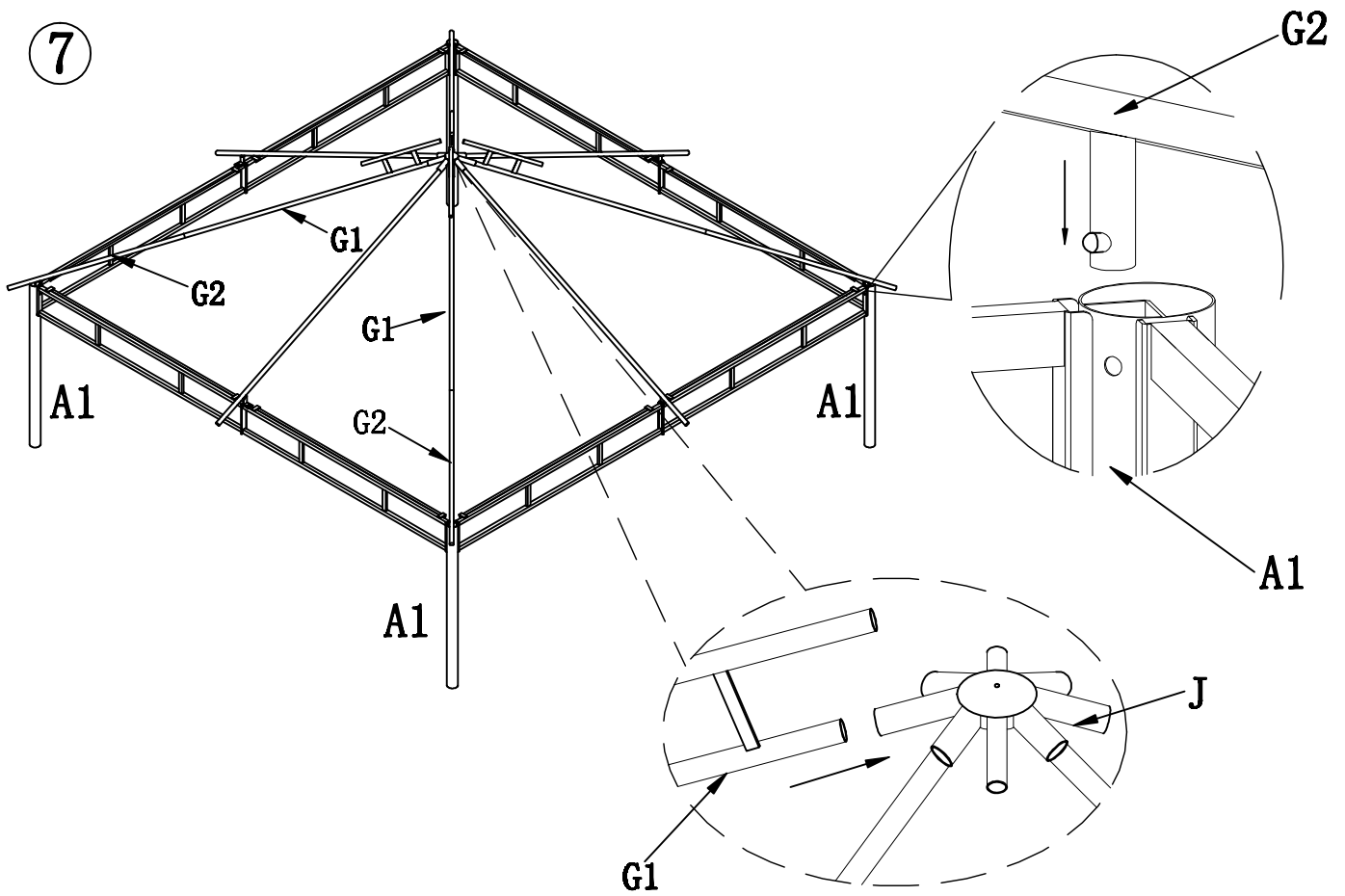
Step 5: Insert Lower Slant Bar (G2) into Upper Slant Bar (G1);
Insert Lower Top Bar (H2) into Upper Top Bar (H1).

6



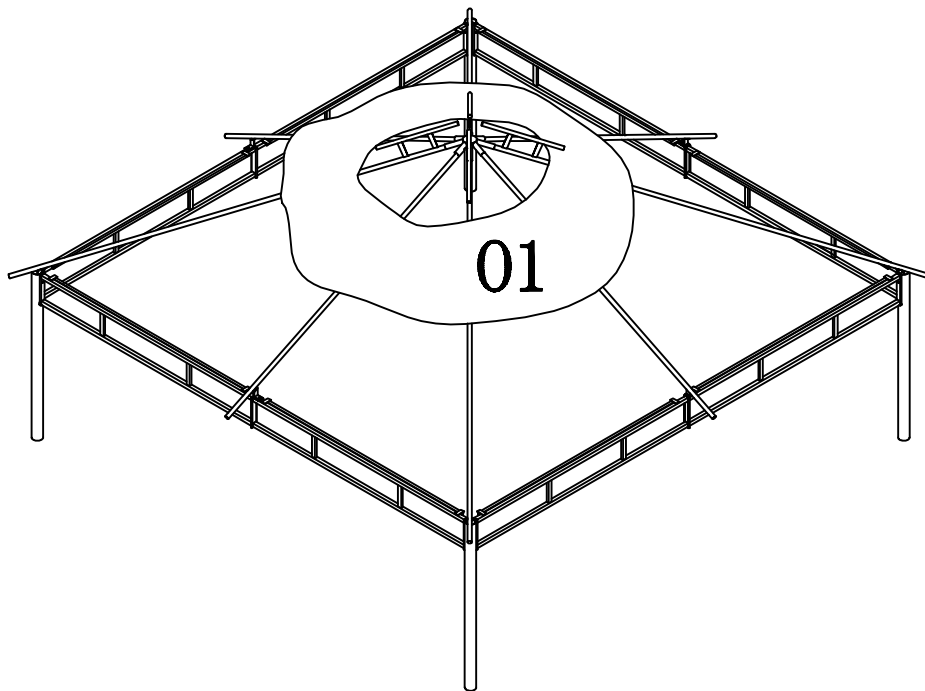
Step 6: Connect Upper Top Bar (H1) and Top Connector (J);
Connect Lower Top Bar (H2) and Across Beam 1/2 (C1/C2) by Bolt (BB).

7

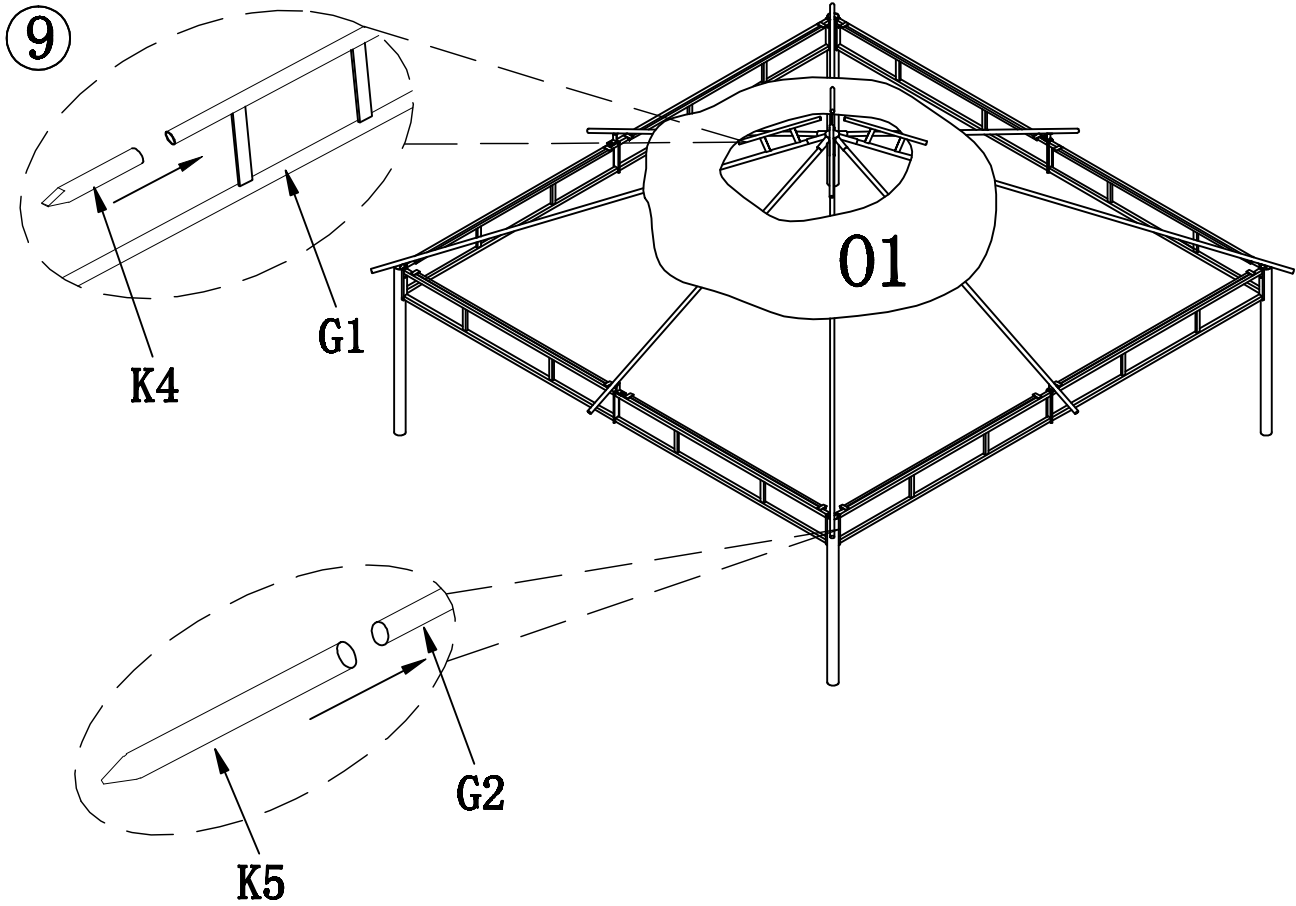


Step 7: Connect Upper Slant Bar (G1) and Top Connector (J); Insert Lower Slant Bar (G2) into Top Leg Post (A1).

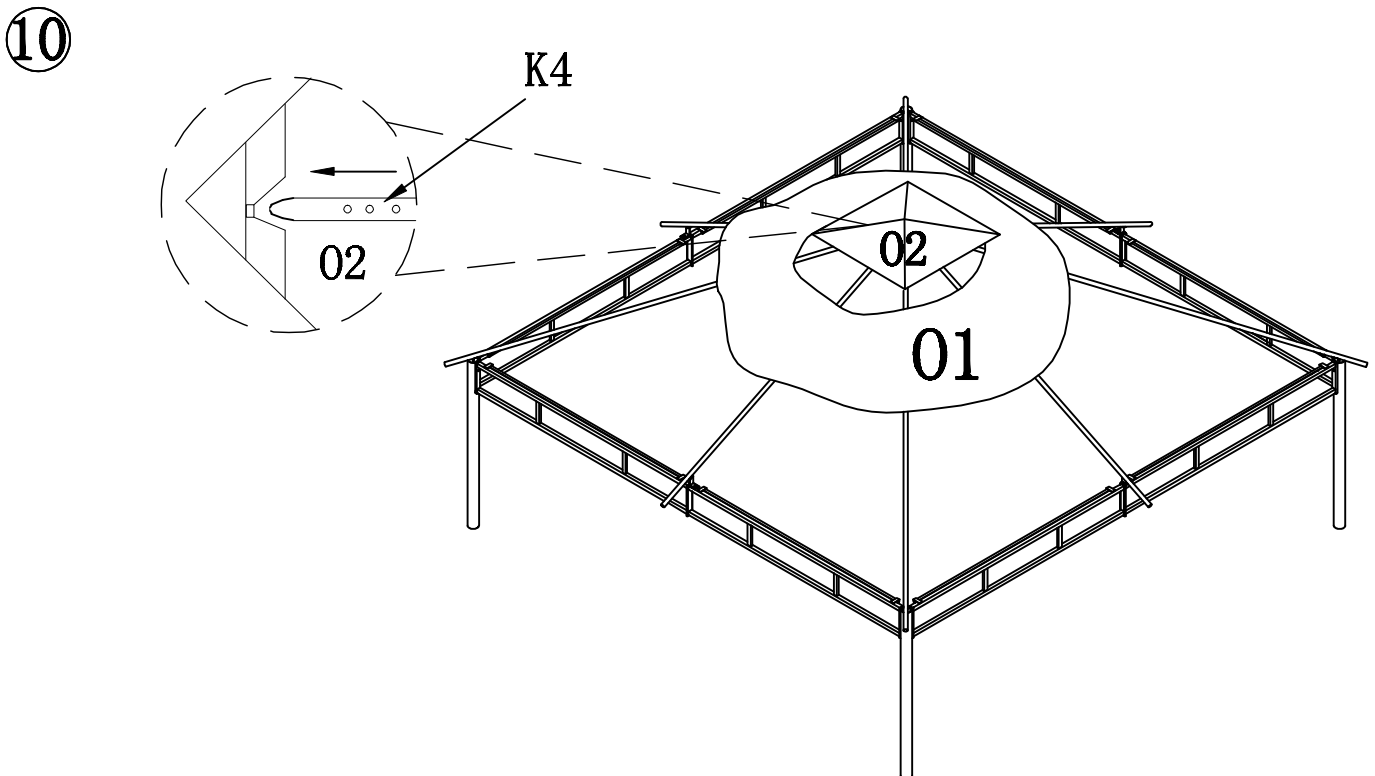
8



Step 8: Put Big Canopy (O1) on big roof frame.

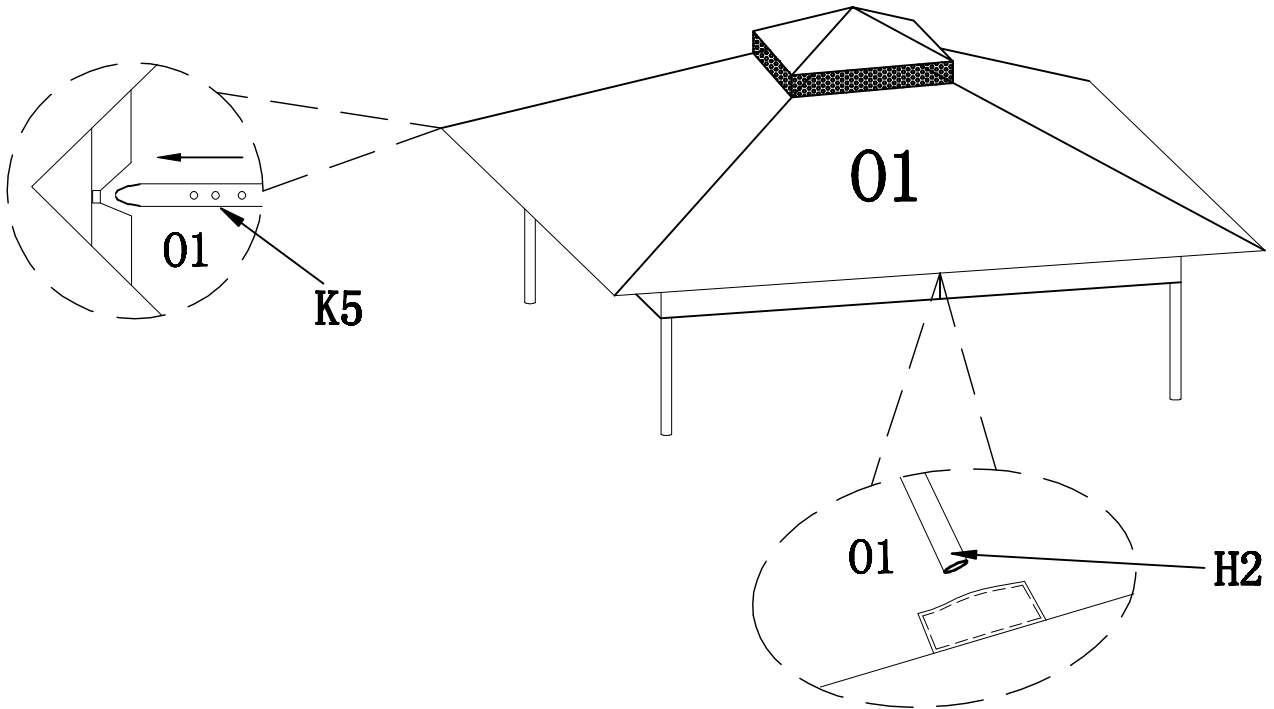


Step 9: Insert **Short Extension Tube (K4)** into **Upper Slant Bar (G1)**; Insert **Long Extension Tube (K5)** into **Lower Slant Bar (G2)**.



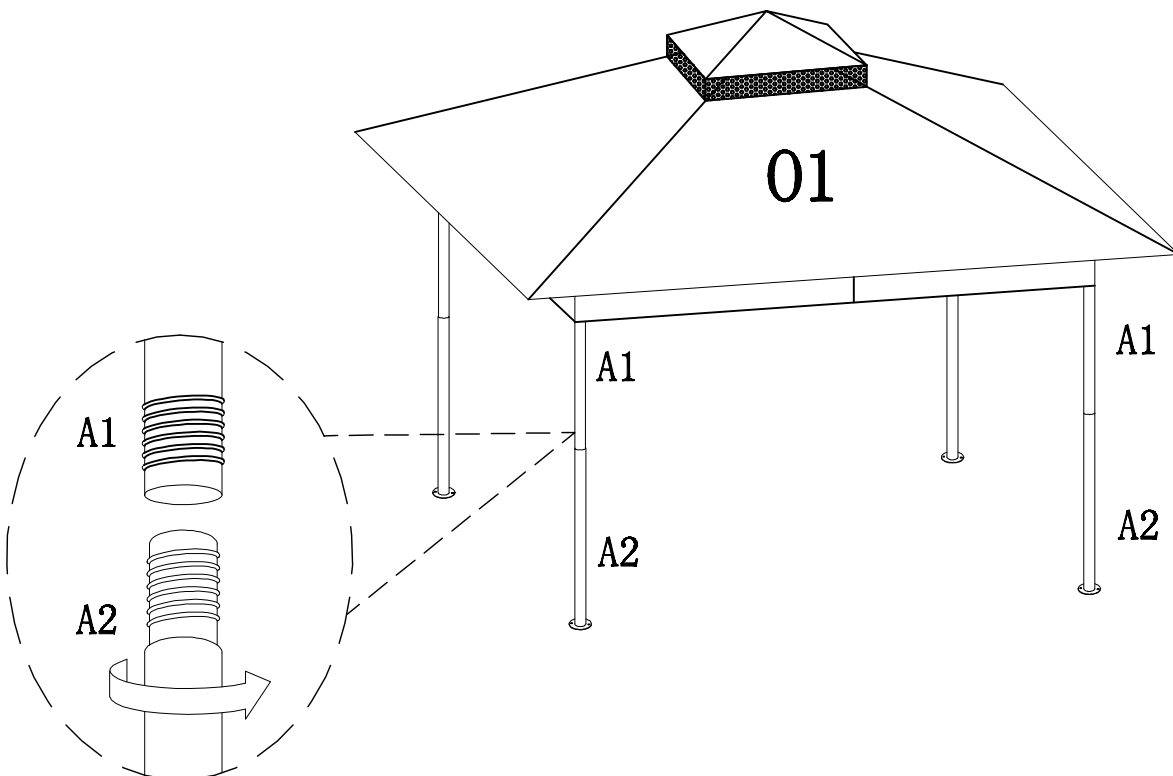
Step 10: Put **Small Canopy (O2)** on small roof frame, fix four corners to **Short Extension Tube (K4)** and adjust tube to suitable length.

11



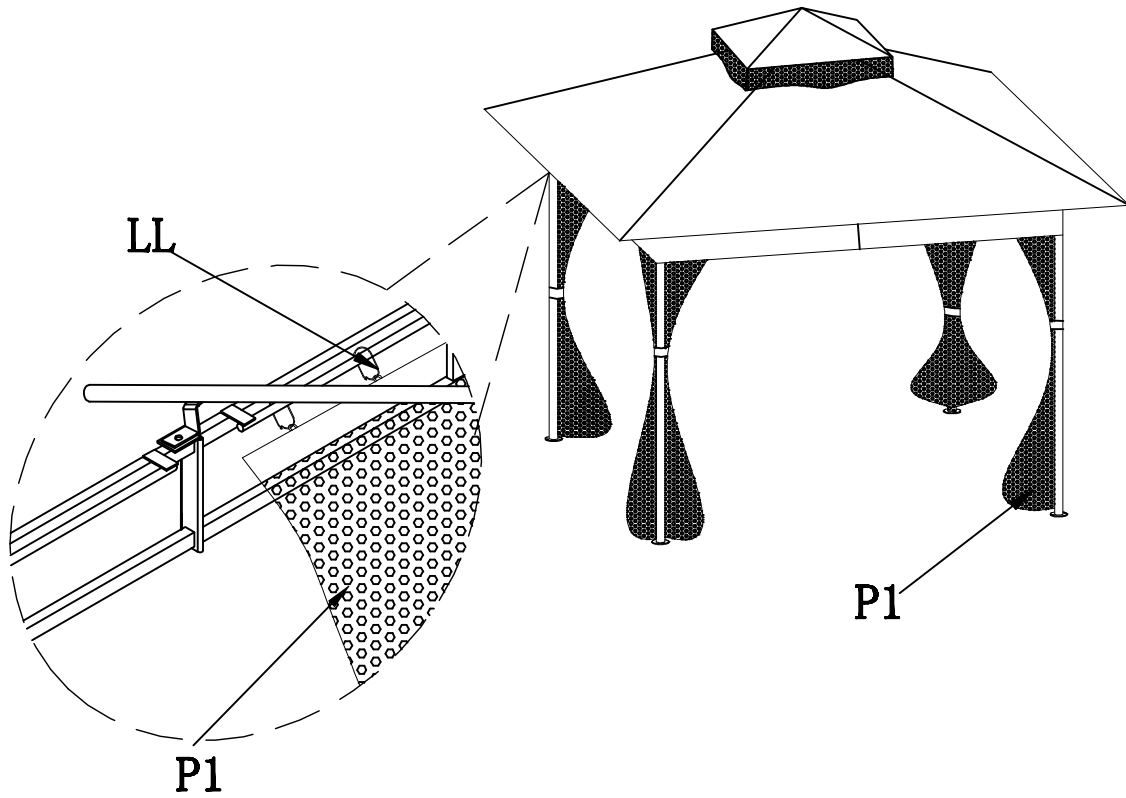
Step 11: Insert to **Middle Top Bar (H2)** into side edge pocket on **Big Canopy (O1)**;
Insert **Long Extension Tube (K5)** into Big canopy corner pocket, adjust the
tube to suitable length.

12



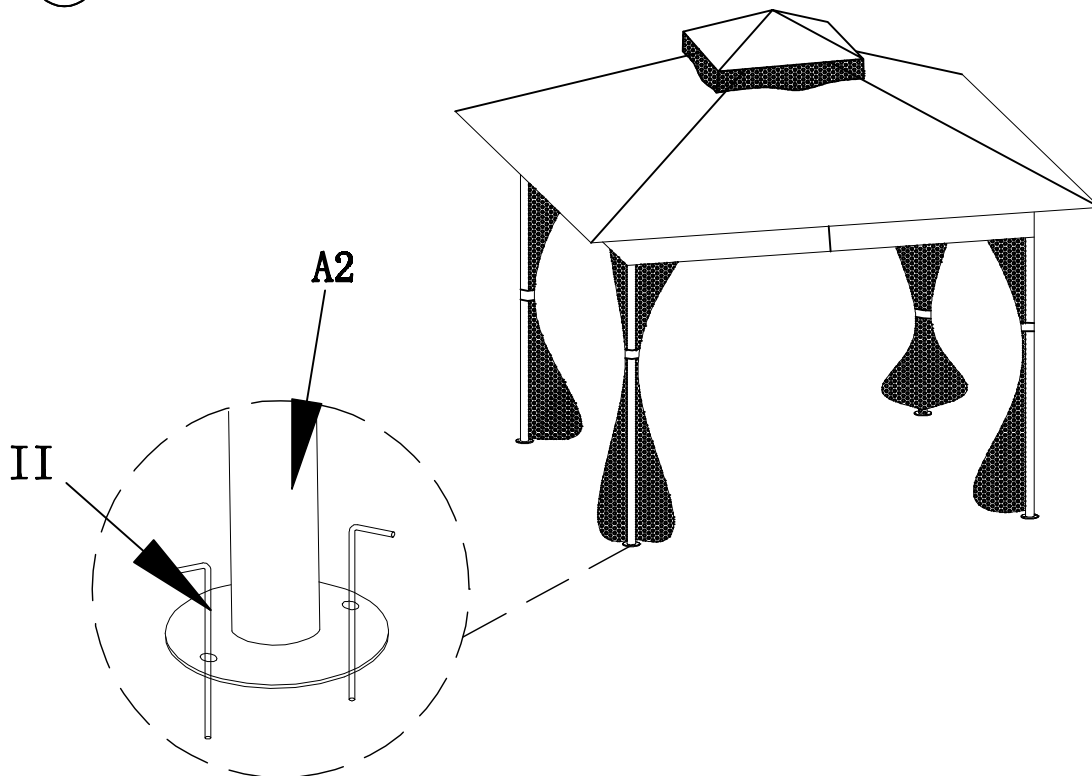
Step 12: Connect **Lower Leg Post (A2)** and **Top Leg Post (A1)**.
(Attention: this step requires two persons).

13

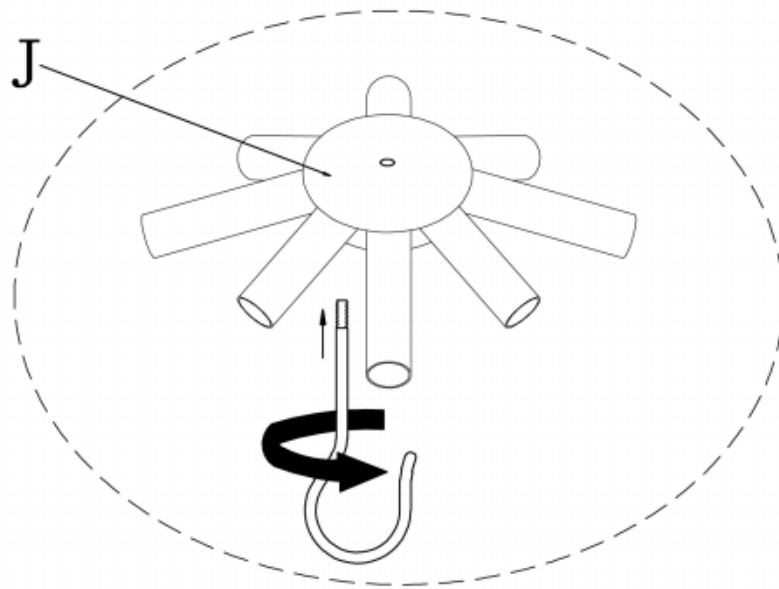


Step 13: Hang Netting (P1) on netting rod by Ring (LL).

14



Step 14: Fix Gazebo Lower Leg Post (A2) on the ground by Stake (II).



Step 15: Connect the Hook to the **Top Connector (J)**.
Attention: the hook should be under the Top Connector (J).